

FRONT **REAR**

LEFT RIGHT TYRES LEFT RIGHT

32 mm	32 mm	TYPE SHORE DIAMETER	35 mm	35 mm
-------	-------	---------------------	-------	-------

SHOCK ABSORBERS

400	400	OIL SPRING DAMPING	400	400
1	2	3	4	MS

ANTI-ROLLS BARS

0	30	45	60	90	0	30	45	60	90
---	----	----	----	----	---	----	----	----	----

1ST SPUR GEAR 2ND

48	49	50	44	45	46	47
----	----	----	----	----	----	----

1ST PINION 2ND

15	16	17	18	19	20
----	----	----	----	----	----

DRIVE TRAIN

MIDDLE AXLE PULLEY	24	25
--------------------	----	----

ENGINE

TYPE	OS	MUFFLER	MS
PLUG	P7	GASKET	

FUEL

TYPE	Nasa	MANIFOLD	
NITRO	25 %		

BODY

TYPE	Central	SPOILER	5
POSIT.	7 mm		

SET-UP SHEET

NAME **M TAKAYASU**

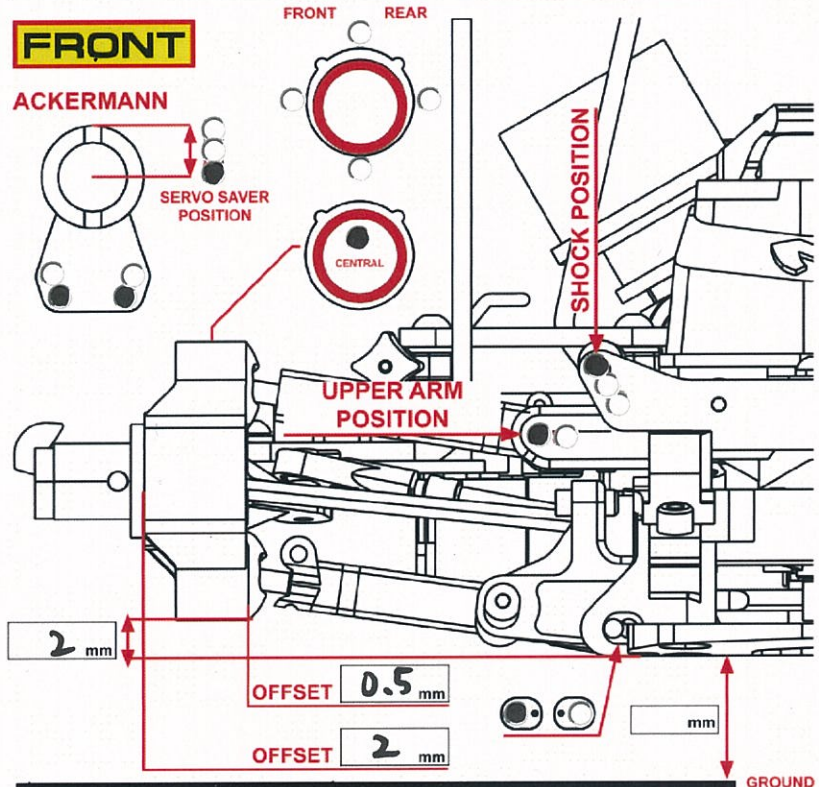
DATE **2009. 6. 28**

TEMP. **25 °C**

TRACK **Bask**

TRACTION **Mid**

RESULT **1 st**



UPPER ARM SPACER	CAMBER FRONT	CAMBER REAR	REAR WIDTH
FRONT 4.5 mm	LEFT -2 RIGHT -2	LEFT -3 RIGHT -3	265 mm
LOWER ARM SPACER	TOE FRONT	TOE REAR	FRONT WIDTH
FRONT 1.5 mm	+1.0	-2.5	254 mm
WHEEL BASE			
<input type="checkbox"/> SHORT <input checked="" type="checkbox"/> STANDARD <input type="checkbox"/> LONG			